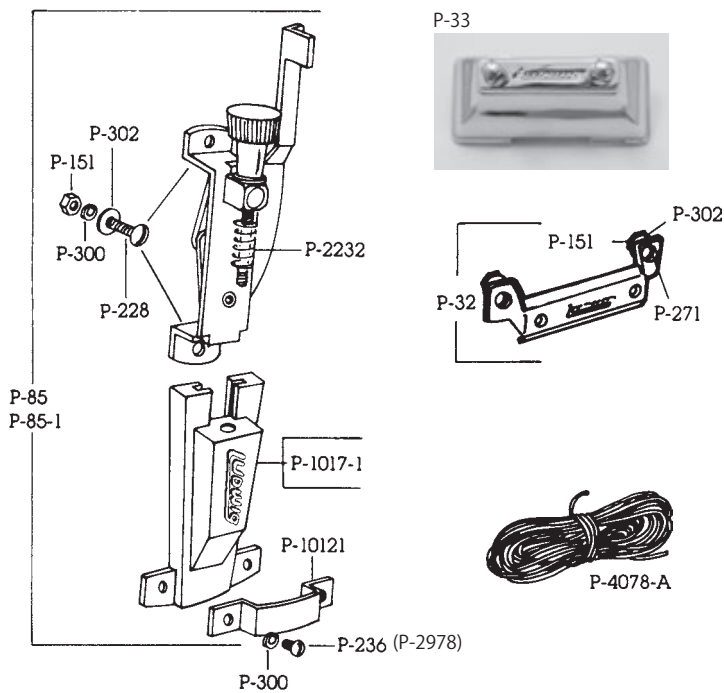


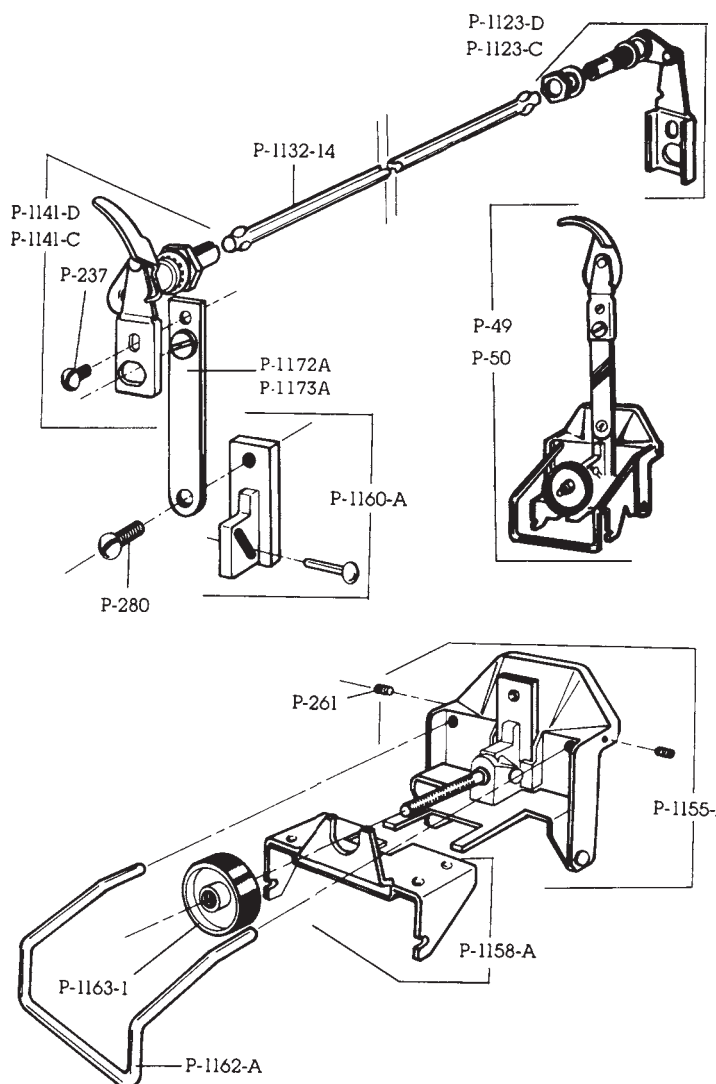
Ludwig主要パーツ表

Snare Strainers



No.P-85 SNARE STRAINER AND No.P-32BRACKET

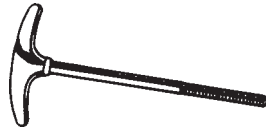
Number	Description
P-32	Butt for P-85
P-33	Butt for P-85
P-85	Snare Strainer,Complete
P-151	Hex Nut
P-228	Bolt
P-236	Clamp Bracket Screw (P-2978)
P-271	Machine Screw
P-300	Split Lock Washer
P-302	Washer
P-10121	Clamp Bracket for Cover Slide
P-1017-1	Cover Slide Only
L-1929	12 Strand Heavy Wire Snares,14"Metal End
L-1930-C	20 Strand Thin Wire Snares,14"Metal End (Cord)
P-2232	Spring
P-4078-A	Snare Cord(10 yards)



No.p-70 & No.P-71 SUPER SENSITIVE SNARE STRAINER

Number	Description
P-47	Butt Side 5"Deep Shell
P-48	Butt Side 6-1/2"Deep Shell
P-49	Throw Off Side 5"Deep Shell
P-50	Throw Off Side 6-1/2"Deep Shell
P-70	Super Sensitive Snare Strainer Complete for 5"Deep Drums
P-71	Super Sensitive Snare Strainer Complete for 6-1/2"Deep Drums
P-237	Screw for Upper Cam Arm
P-261	Allen Screw
P-280	Screw for Lower Cam Arm
P-1123-C	Link for 6-1/2"Deep Snare Drum
P-1123-D	Short Link for 5"Deep Snare Drum
P-1132-14	Inside Rod for 14"Diameter Snare Drum
P-1141-C	Long Lever Assembly for 6-1/2"Deep Snare Drum
P-1141-D	Short Lever Assembly for 5"Deep Snare Drum
P-1155-A	Housing with Mounting Screws
P-1158-A	Slide Assembly
P-1160-A	Cam Slide with Rivet
P-1162-A	Snare Guard with Allen Screws
P-1163-1	Tension Adjustment Wheel Only
P-1172-A	Short Cam Arm Assembly for 5"Deep Snare Drum
P-1173-A	Long Cam Arm Assembly for 6-1/2"Deep Snare Drum
L-1232	24 Strand Wire Snares,14"Not Individually Adjustable

Tension Rods & Clawhooks / Timpani parts



T-HANDLE RODS

Number	Description
P-3034-A	T-Handle Rod w/Washer, 4-1/8"
P-3024-A	T-Handle Rod w/Washer, 6-1/8"
P-3029-A	T-Handle Rod w/Washer, 7"
P-3054-A	T-Handle Rod w/Washer, 7- 5/8"

KEY ROD & T-HANDLE ROD WASHERS

Number	Description
P-3012	Key Rod Washer



KEY RODS

Number	Description
P-3052-A	Key Rod w/Washer, 1-5/8"
P-3023-A	Key Rod w/Washer, 2-5/16"
P-3051-A	Key Rod w/Washer, 2-3/4"
P-3010-A	Key Rod w/Washer, 3-3/8"
P-3041-A	Key Rod w/Washer, 5"
P-3040-A	Key Rod w/Washer, 5-5/8"



Gauge

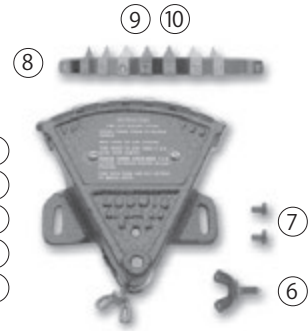


Foot Pedal Attachment

Planet Tuning Gauge
with cable and foot pedal attachment
(mounting instructions included)

Grand Symphonic & Professional Models

Number	Description	Number	Description
LKP 20	20"	LKP 26S	20"
LKP 23	23"	LKP 29S	23"
LKP 26	26"	LKP 33	Gauge Cover (not shown)
LKP 29	29"		
LKP 32	32"		



Standard Hoop Gauge
(Mounting instructions included)

Number	Description
① LKH20	20"
② LKH23	23"
③ LKH26	26"
④ LKH29	29"
⑤ LKH32	32"
⑥ P1444	Wing Screw
⑦ P0253	Rail Mounting Screw
⑧ P1439	Letter Rail only
⑨ P1442	Rail Letters(set only A-G)29"-32"
⑩ P1443	Rail Letters(set only A-G)20"-23"-26"



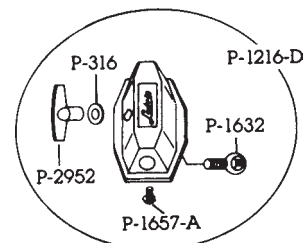
P-2300RP



P-2306P

DOUBLE CLAWHOOKS

Number	Description
P-2300-R	Clawhook for T-Handle Rod(Pair)
P-2306P	Clawhook for Key Tension Rod(Pair)
P-2305-R	Clawhook for T-Handle Rod(Rocker II)

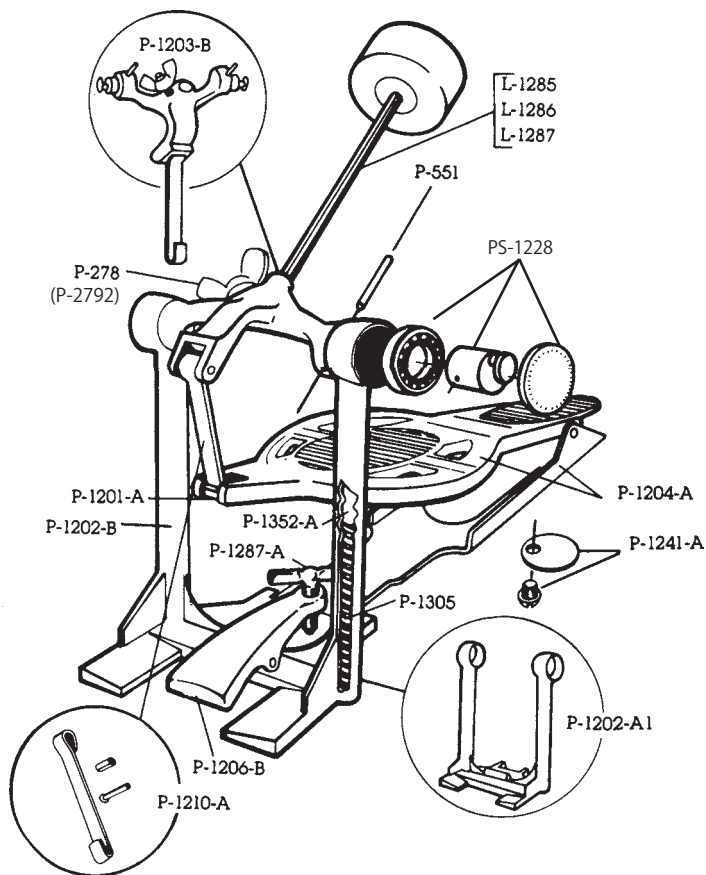


No. P-1216-D MOUNTING BRACKET

Number	Description
P-316	Washer
P-1216-D	Mounting Bracket Complete
P-1632	Eye Bolt
P-1657-A	Bracket Mounting Assembly
P-2952	Female T-Handle

Bass Drum Pedals

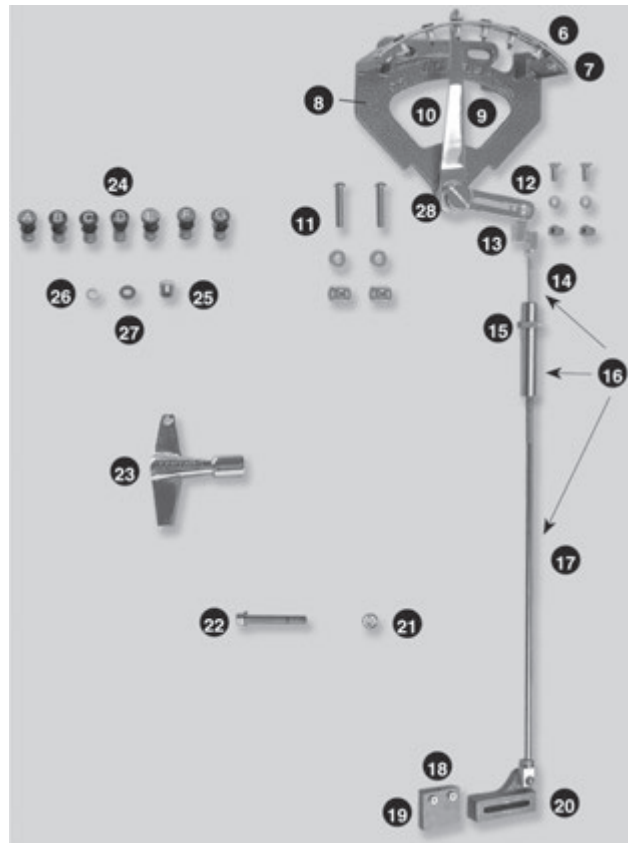
Timpani parts



No.L-201 SPEED KING PEDAL

Number	Description
P-278	Wing Screw(Old)
P-2792	Wing Screw(New)
P-551	Rollpin
P-1201-A	Spring Clip with Rivet
P-1202-A1	Base Housing only
P-1202-B	Base Assembly Complete ,Less Footboard and Beater
P-1203-B	Rocker Assembly, Complete
P-1204-A	Footboard Assembly, Complete with Floor Plate and Heel Clamp
P-1206-B	Toe Clamp Assembly Complete with Tension Screw and Pin
P-1210-A	Connecting Link and Pin and Bushing
PS-1228	Bearing Cam Set with Pin and Sealing Cap for Left and Right Side
P-1241-A	Heel Clamp Assembly
L-1285	Pedal Beater,Lambs Wool
L-1286	Pedal Beater,Hard Felt
L-1287	Pedal Beater,Solid Wood
P-1287-A	Tension Screw
P-1305	Compression Springs
P-1352-A	Plungers

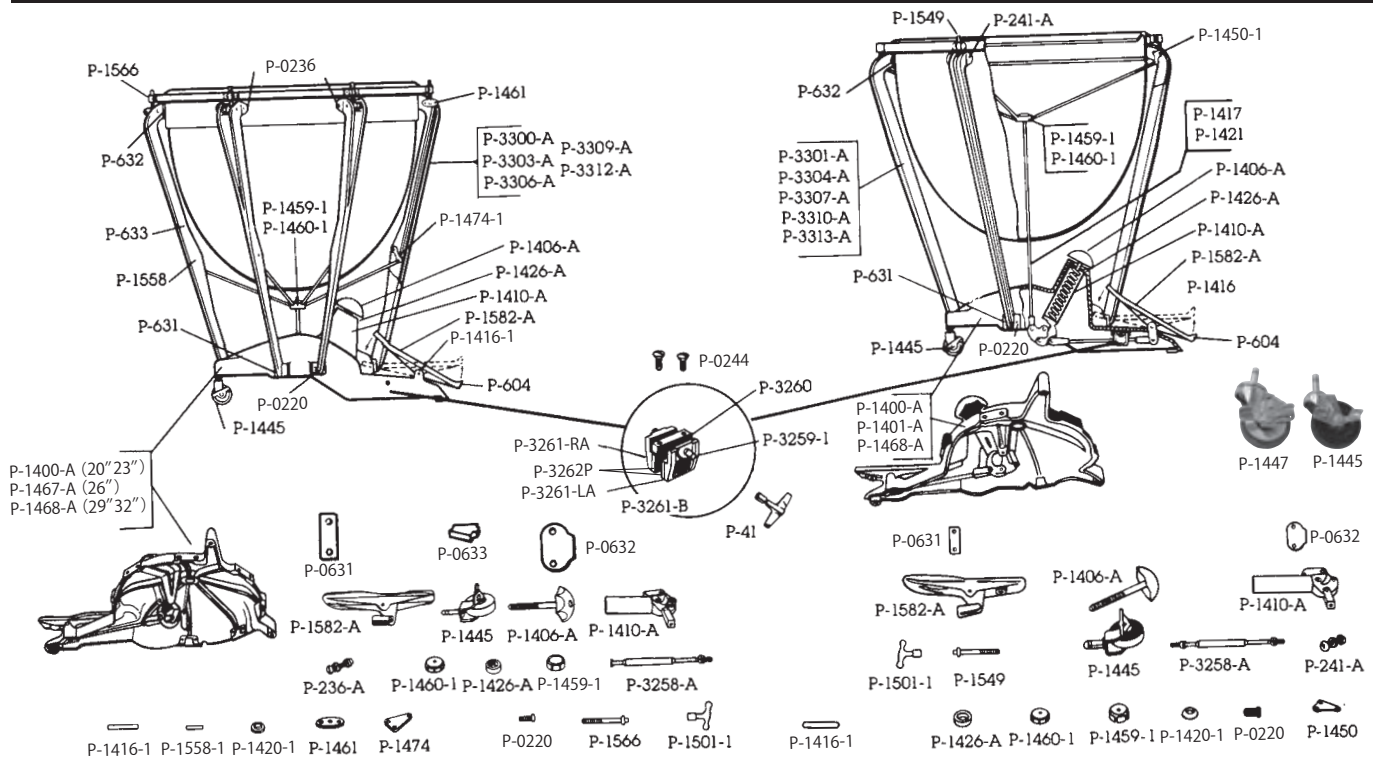
*Note P-1204-A Sold Complete Only
P-1202-B Sold Complete Only



Pro Tuning Gauge (Mounting Instructions Included)

Number	Description
1. LKG 20	20"
2. LKG 23	23"
3. LKG 26	26"
4. LKG 29	29"
5. LKG 32	32"
6. P9105	Rail
7. P0527	Rail Rivet
8. P32711	Bace Casting
9. P9100L1	Pointer (LH)
10. P9100R1	Pointer (RH)
11. P0241A	Mounthing Screw w/nuts
12. P0108	Wing Nut
13. P3268	Connecting Link
14. P32861	Connecting Rod
15. P3274A	Adjusting Screw
16. P3288A	Connecting Rod Assembly (Includes P32861 Connecting Rod, P3274A Adjusting Screw and P32871 Connecting Rod.)
17. P32871	Connecting Rod - long
18. P0287	Mounting screw
19. P3273	Foot Pedal Block
20. P32691	Adj-block
21. P0326	Washer
22. P3008	Key Rod
23. P4006	Key
24. P9127	Letter - A,B,C,D,E,F,G
25. P91281	Letter Nut
26. P0304	Washer
27. E2450	Washer
28. P91291	Pointer Bearing

Timpani Parts



PROFESSIONAL SYMPHONIC MODEL TIMPANI

Number	Description
P-41	Drum Key
P-0220	Strut Hex Cap Screw
P-0236	Flat Mounting Screw Assembly with Acorn Nut (Strut to Ring)
P-0244	Mounting Screws
P-0631	Strut Gasket(bottom)
P-0632	Strut Gasket(top)
P-0633	Strut Rubber Insert(center)
P-1400-A	Prof.Style Base Casting Assembly,Complete for 20",23"
P-1406-A	Knob Assembly
P-1410-A	Compression Spring Case Assembly
P-1412	Spring Only
P-1416-1	Footboard Pin
P-1420-1	Bearing Flange
P-1426-A	Ball-bearing and Flange Assembly
P-1445	Caster with Brake
P-1447	3" Caster
P-1459-1	Tension Rod Spider(for six rod models:20",23")
P-1460-1	Tension Rod Spider(for eight rod models:26", 29",32")
P-1461	Bell Crank Link(oval,for top)
P-1467-A	Prof.Style Base Casting Assembly,Complete for 26"
P-1468-A	Prof.Style Base Casting Assembly,Complete for 29",32"
P-1474-1	Bell Crank Link(triangular,for center)
P-1501-1	Tuning Key
P-1558-1	Strut Pin
P-1566	Key Tension Rods
P-1582-A	Foorboard Assembly
P-3258-A	Pedal Connecting Rod Assembly
P-3259-1	Thread Shaft
P-3260	Brake Block
P-3261-RA	Brake Arm Assembly,Right
P-3261-LA	Brake Arm Assembly,Left
P-3261-B	Pedal Brake Assembly,Complete
P-3262-P	Timpani Brake Pads
P-3300-A	Strut Assembly,Complete for 20"
P-3303-A	Strut Assembly,Complete for 23"
P-3306-A	Strut Assembly,Complete for 26"
P-3309-A	Strut Assembly,Complete for 29"
P-3312-A	Strut Assembly,Complete for 32"

EXTENDED COLLAR

STANDARD SYMPHONY MODEL TIMPANI

Number	Description
P-41	Drum Key
P-0220	Strut Hex Cap Screw
P-241-A	Mounting Screw Assembly with Nut (Strut to Kettle)
P-0244	Mounting Screws
P-0631	Strut Gasket(bottom)
P-0632	Strut Gasket(top)
P-1400-A	Standard Style Base Casting Assembly, Complete for 20",23",26"
P-1401-A	Standard Style Base Casting Assembly, Complete for 29"
P-1406-A	Knob Assembly
P-1410-A	Compression Spring Case Assembly
P-1412	Spring Only
P-1416-1	Footboard Pin
P-1417	Center Pull Rod for 20", 23",and 26"
P-1420-1	Bearing Flange
P-1421	Center Pull Rod for 29"and 32"
P-1426-A	Ball-bearing and Flange Assembly
P-1445	Caster with Brake
P-1450-1	Bell Crank Link
P-1459-1	Tension Rod Spider(for six rod models:20",23", 26",29")
P-1460-1	Tension Rod Spider(for eight rod models:32")
P-1468-A	Standard Style Base Casting Assembly, Complete for 32"
P-1501-1	Tuning Key(for key tension rods)
P-1549	Key Tension Rods
P-1582-A	Foorboard Assembly
P-3258-A	Pedal Connecting Rod Assembly
P-3259-1	Thread Shaft
P-3260	Brake Block
P-3261-RA	Brake Arm Assembly,Right
P-3261-LA	Brake Arm Assembly,Left
P-3261-B	Brake Assembly,Complete
P-3301-A	Strut Assembly, for 20"
P-3304-A	Strut Assembly, for 23"
P-3307-A	Strut Assembly, for 26"
P-3310-A	Strut Assembly, for 29"
P-3313-A	Strut Assembly, for 32"